



© 2022 ASP Group s.r.o.
All Rights Reserved.



Owner's Manual

SHARK Arched Aluminum Folding Ramps

ATV/Moto Aluminum Ramp, Perforated	01CZ2005, 01CZ2005-1
ATV/Moto Aluminum Ramp, Cross-Bar	01CZ2010, 01CZ2010-1
UTV Aluminum Ramp	01CZ2015, 01CZ2015-1

Thank you for choosing high quality Shark Accessories product. Shark Aluminum Arched Folding Ramps are made from high quality aircraft grade aluminum and include adjustable attachment straps. The ramps are rust and corrosion resistant. Special arched design allows for easy loading of equipment with low ground clearance, such as lawn tractors. The ramps fold for easy storage.

Follow these few simple instructions and your product will safely give you many years of trouble-free service. Keep these instructions with the product at all times and review before each use.

It is important to read entire manual to become familiar with this ramp before you begin using it. This ramp is designed for certain applications only. The distributor cannot be responsible for issues arising from ramp modifications. We strongly recommend this ramp not be used for any application other than that for which it was designed.

CAUTION: Do not allow persons to operate or assemble this ramp until they have read this manual and have developed a thorough understanding of how the ramp works.



WARNING: The warnings, cautions, and instructions discussed in this instruction manual cannot cover all possible conditions or situations that could occur. Please use common sense and practice general safety measures when using this product.

SAVE THESE INSTRUCTIONS. This manual contains important safety precautions which should be read and understood before operating the product. Failure to do so could result in serious injury. This manual should remain with the product.
Specifications, descriptions and illustrations in this manual are as accurate as known at the time of publication, but are subject to change without notice.



WARNINGS

READ, UNDERSTAND AND FOLLOW ALL ASSEMBLY, INSPECTION & USE INSTRUCTIONS BEFORE EACH USE. FAILURE TO FOLLOW ALL INSTRUCTIONS, WARNINGS & LOAD CAPACITY RATINGS MAY RESULT IN SERIOUS INJURY, DEATH OR PROPERTY DAMAGE.

THE WARNINGS, CAUTIONS AND INSTRUCTIONS IN THIS MANUAL CANNOT COVER ALL POSSIBLE CONDITIONS OR SITUATIONS THAT COULD OCCUR. USE COMMON SENSE AND GENERAL SAFETY MEASURES WHEN USING THESE RAMPS.

DO NOT ALLOW PERSONS TO OPERATE OR USE THESE RAMPS UNTIL THEY HAVE READ THIS MANUAL AND HAVE DEVELOPED A THOROUGH UNDERSTANDING OF POSSIBLE DANGERS.

DO NOT USE AN ATV ON THIS RAMP IF THE ATV HAS SNOW CHAINS ON TIRES. CHAINS WILL CAUSE DAMAGE TO YOUR RAMP AND IS HAZARDOUS!

BE CAREFUL OF PINCH POINTS AT RAMP HINGE LOCATIONS.

BE CAREFUL OF PINCH POINTS AT RAMP TAB LOCATIONS WHILE SECURING RAMP TO TAILGATE.

THIS RAMP IS FOR USE WITH 4-WHEELED ATV'S AND MOTORCYCLES ONLY. DO NOT USE WITH 3-WHEELED VEHICLES OR VEHICLES EXCEEDING LOADING LIMITS OF THE RAMP.

SAFETY STRAPS MUST BE SECURELY HOOKED UP TO VEHICLE TO PREVENT RAMPS FROM SLIDING OFF TAILGATE. TEST BEFORE USING OR YOU COULD BE SERIOUSLY INJURED.

BE SURE VEHICLE IS CENTERED ON RAMP. DO NOT USE WITH ANY VEHICLE THAT HAS WIDER TIRES THAN THE RAMP WIDTH.

MAXIMUM USABLE HEIGHT, GROUND TO LOADING POSITION, IS NO MORE THAN ONE HALF THE LENGTH OF THE RAMP.

BE SURE RAMP IS PROPERLY PLACED AND SECURED AS DESCRIBED IN THESE INSTRUCTIONS.

DO NOT USE ON SOFT SURFACES OR UNLEVEL TERRAIN.

DO NOT EXCEED MAXIMUM CAPACITY OF YOUR LOADING SURFACE (I.E. TAILGATE, BUMPER). IF UNKNOWN, CONSULT THE MANUFACTURER TO FIND LOAD CAPACITIES.

IF LOADING OR UNLOADING FROM A TRAILER, MAKE SURE THE TRAILER IS PROPERLY COUPLED TO THE TOW VEHICLE.

ONLY USE A WINCH (NOT PROVIDED) TO LOAD A 4-WHEEL ATV OR SIMILAR VEHICLE.

NEVER STAND IN THE PATH OF EQUIPMENT WHEN LOADING/UNLOADING WITH THE RAMP, AND KEEP BYSTANDERS AWAY FROM THE RAMPS.

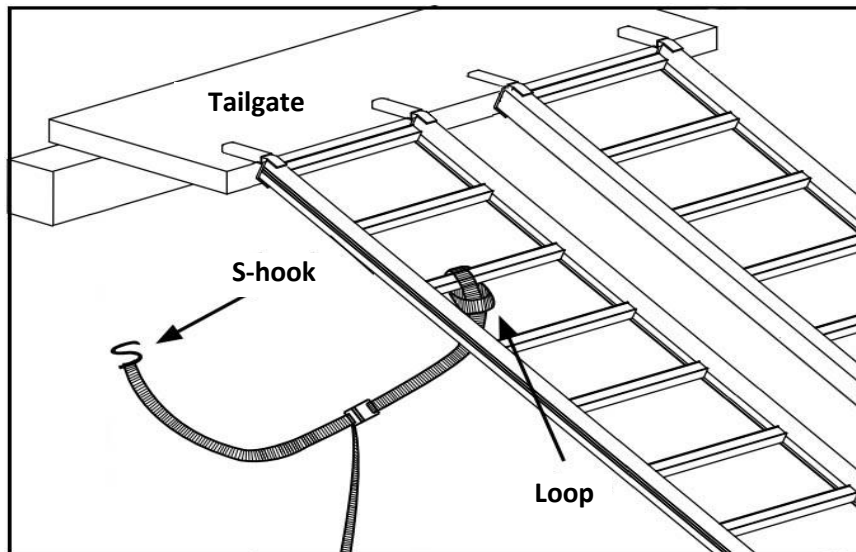
DO NOT STEP BETWEEN RUNGS. THIS MAY CAUSE A PERSON TO FALL THROUGH AND POSSIBLY RESULT IN SERIOUS BODILY INJURY.

RAMPS ARE INTENDED FOR LOADING/UNLOADING EQUIPMENT ONTO A TRAILER OR PICKUP TRUCK. DO NOT USE RAMPS AS A LADDER, BRIDGE, SCAFFOLDING, OR FOR ANY OTHER PURPOSE.

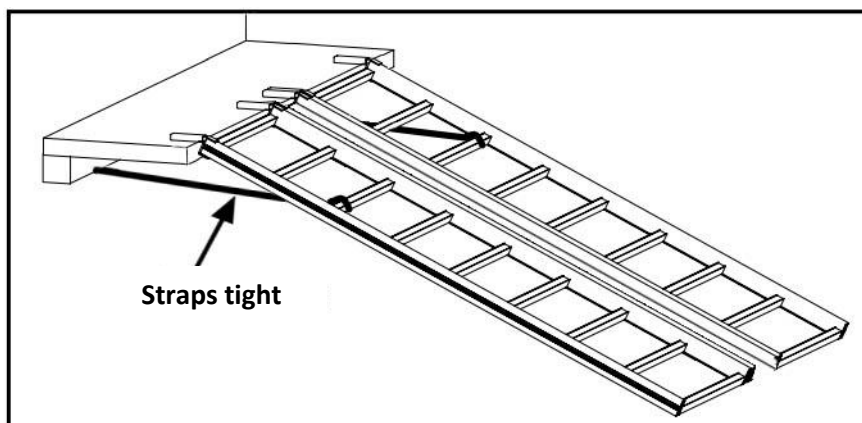
DO NOT MODIFY THIS PRODUCT IN ANY WAY. UNAUTHORIZED MODIFICATION MAY IMPAIR THE FUNCTION AND/OR SAFETY AND COULD AFFECT THE LIFE OF THE PRODUCT.

LOADING:

1. Park the vehicle and/or trailer on level, hard terrain. Loading deck must be parallel to the ground. Neither ramp nor loading deck should rest on a slope.
2. Set the parking brake on the vehicle. Transport vehicle engine should always be off, with no keys in ignition. If loading onto a trailer, make sure the trailer is properly hitched to the vehicle and level.
3. Open ramp(s) completely and rest it on tailgate, with attaching fingers (angled lips) onto the edge of the tailgate or trailer.
4. Attach the strap from the underside of the ramp to a structural member of the loading vehicle (i.e. hitch, bumper, frame). Straps must ALWAYS be attached to ramps and properly adjusted to prevent ramp from slipping off the loading surface.



5. Tighten and secure the straps to limit any movement of the ramp while loading or unloading. Make sure ramp(s) does not slide back or disengage from the loading surface. To remove, simply push the thumb release on strap buckle.



6. Make sure the ramp(s) are centered on the loading surface, resting on hard-level ground.
7. Using an electric or manual winch, slowly draw the vehicle up the ramps. DO NOT drive the ATV up the ramps. Using a winch is the safest way to load a 4-wheeled ATV.
8. Once loaded, set the parking brake on the vehicle/equipment and secure with tie-downs.
9. Remove, fold and store ramp(s) after loading is complete.

UNLOADING:

- Remove securing straps from the vehicle.
- Set up the ramp (see above). Be sure vehicle is centered on ramps.
- Stand to the side and manually pull the vehicle from the trailer. Always make sure the wheels are lined up with the ramp.
- While holding the brake, move to the front of the ATV. Release the brake and push the ATV to roll it slowly down the ramp. Do not attempt to steer, avoid sudden braking.

Using UTV RAMPS with support legs (01CZ2015, 01CZ2015-1)

SHARK UTV ramps have additional support legs underneath the ramp to accommodate heavy weight.

1. Do not use these ramps on soft surfaces or uneven terrains. Loading deck must be parallel to the ground. Neither ramp nor loading deck should rest on a slope. Transport vehicle engine should always be off, with no keys in ignition.
2. When unfolding the ramps, the support legs will extend automatically.
3. It is absolutely necessary to correctly adjust height of the support legs by rotating their lower parts. The struts should just slightly touch the ground, by no means they can lift the ramps off the ground.
4. Be sure vehicle is centered on the ramps.
5. After use, reverse unfolding procedures to fold your UTV ramps.

Always...

- Use on level ground and securely attach ramp to truck.
- Use the ramp(s) only for loading of ATVs, motorcycles, golf carts, garden techniques, UTV and SxS, the weight of which does not exceed maximum loading capacity.
- Inspect before each and every use to be sure there is no product damage or loose/missing bolts & hardware. Lubricate hinges as necessary.

Never...

- Exceed load capacity of the ramp(s).
- Use a damaged ramp(s); always replace damaged ramp(s) with a new one.
- Use ramp(s) while under the influence of alcohol or drugs.
- Load ATV on ramp with any gear on racks of ATV.
- Use these ramp(s) with 3-wheeled vehicles or snowmobiles.
- Use these ramp(s) carelessly -- Think Safety!
- Use these ramps in slippery conditions.

Technical specifications

Model	ATV/Moto Perforated	ATV/Moto Cross-bar	UTV Ramps
Code Number	01CZ2005 01CZ2005-1	01CZ2010 01CZ2010-1	01CZ2015 01CZ2015-1
Length folded:	113 cm	108 cm	115 cm
Length unfolded:	225 cm	216 cm	230 cm
Width:	28,5 cm	28,0 cm	28,5 cm
Loading capacity:	680 kg (per pair) 340 kg / 1 ramp	680 kg (per pair) 340 kg / 1 ramp	1360 kg (per pair) 680 kg / 1 ramp
Weight:	16 kg / Pair	14 kg / Pair	16 kg / Pair

Content:

Set of two ramps (01CZ2005, 01CZ2010, 01CZ2015):

- 2x Ramp
- 2x Safety Strap

When buying a single ramp (01CZ2005-1, 01CZ2010-1, 01CZ2015-1):

- 1x Ramp
- 1x Safety Strap

OFFICIAL DISTRIBUTOR



ASP Group s.r.o.

Staroplzenecka 290, 326 00 Letkov

Czech Republic

Phone: +420 378 21 21 21

info@aspgroup.cz

www.aspgroup.eu

© Copyright ASP Group s.r.o., 2022

All rights reserved. The content of this manual, any illustrations, technical information and descriptions within this document were correct at the time of going to print. ASP Group s.r.o. reserves the right to make any changes necessary, without notice, in line with the policy of continuing product development and improvement. No part of this publication may be duplicated, reprinted, stored in a data processing system or transmitted by electronic, mechanical, photographic or other means, or recorded, translated, edited, abridged or expanded without the prior written consent of ASP Group s.r.o.