



INSTALLATION GUIDE

SHARK Aluminum Skid Plate Set

TGB Blade 1000i LT (EX)

TGB Blade 1000i LT EPS (LX)



SHARK Aluminum Skid Plate Set

Thank you for purchasing our SHARK Aluminum Skid Plate Set. All SHARK Aluminum Skid Plate Sets are custom designed and precisely manufactured to fit your specific ATV model and should install hassle free with no additional modifications or drilling. Please carefully read through all these instructions before beginning your install.

This installation guide applies only to this specific ATV model and therefore may not fully apply to other SHARK skid plates designed for different ATVs. If you encounter any problem during installation, please feel free to contact your local dealer by phone or by email; you can also contact distributor directly using contact information at the end of this guide.

Screws and fasteners

All SHARK Skid Plates are supplied with all necessary fastening hardware (unless stated otherwise). Screws, bolts and washers required for assembly are packed accordingly to every skid plate. We recommend you to follow mounting procedure described in this guide step-by-step and unwrap plastic bags with fastening hardware only for currently installed skid plate. This will help you to avoid confusion and mixing of screws, washers and fasteners. If you still happen to mix fastening hardware, for example when disassembling skid plates, you can easily re-sort them according to the Hardware List picture below.

Note:

All removed factory screws - excluding screws (21), Fig. 3 - are necessary to replace for screws supplied in the package. Only screws (21) are not supplied, keep these original factory screws for reassembly (Fig. 4).

Tools required for installation

For installation you will need Metric Sockets 10 and 14 mm and Hex Key No. 4.

Useful tips

- Install all screws fingertight at first until all hardware has been installed. Adjust correct position of the skid plate and then tighten all screws completely.
- Do not over torque the screws because the threads can strip easily. If you do strip one out, the simplest way to repair the thread is to use a M6 x 16 self tapping bolt.

REMOVING FACTORY PLASTIC SKID PLATES

1. Remove the original plastic chassis covers, and front and rear plastic A-arms guards. Also remove four outermost screws (16) in each footwell - Fig. 1. Do not remove plastic cover (A) from under the front bumper - leave this plastic cover in place (Fig. 2).
2. Remove plastic cover (B) between front A-arms by removing two marked screws (Fig. 2).

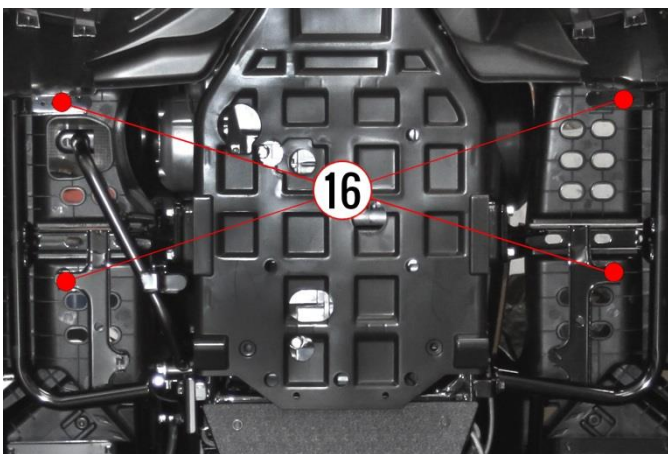


Fig. 1

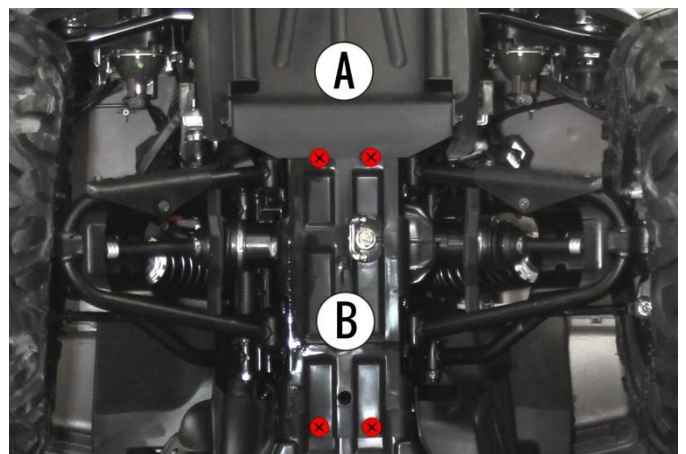


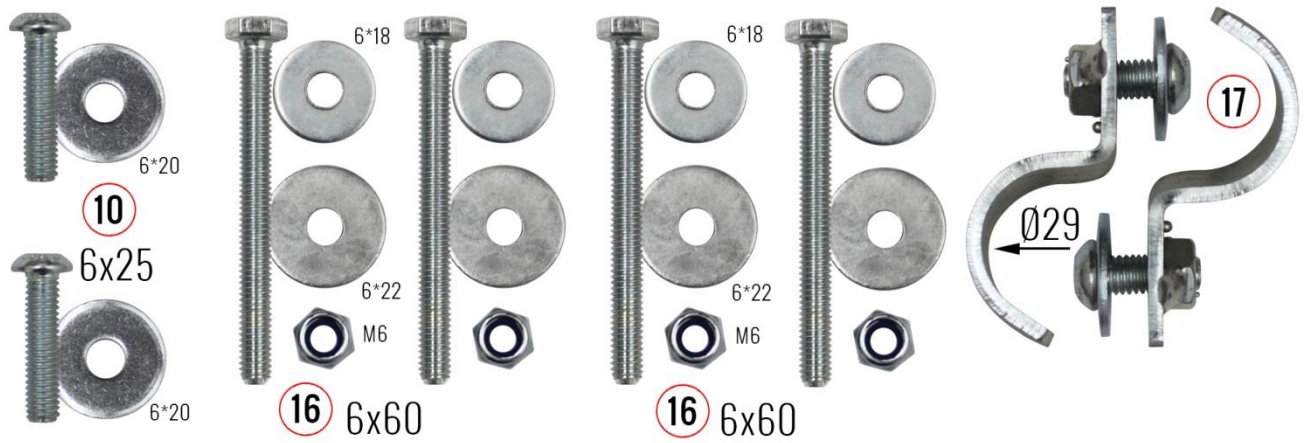
Fig. 2

Hardware list for TGB 1000i LT

1



2



3



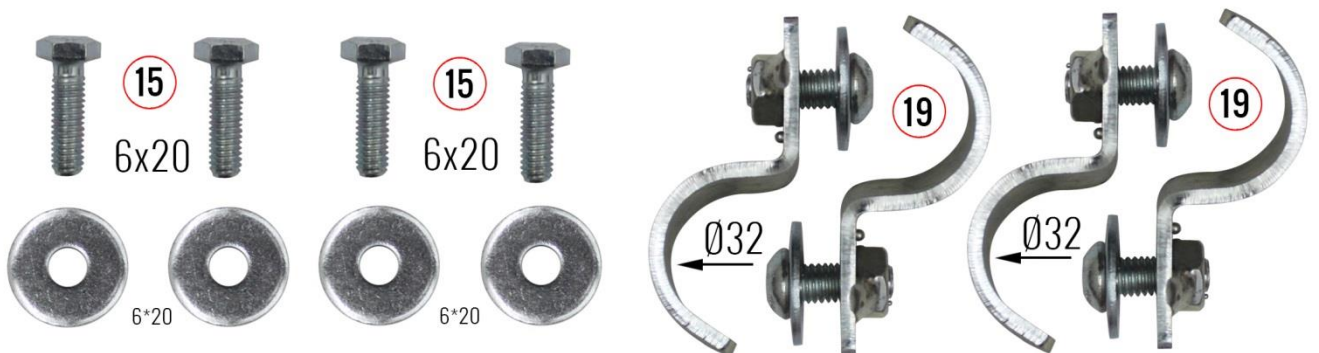
4

5



6

7



Mounting instructions

For easiest installation it is best to stand your ATV up on the rear end as on Fig. 3.

WARNING

THE ATV IS VERY UNSTABLE IN THIS POSITION SO BE SURE TO SECURE IT PROPERLY!

We recommend you to use protective gloves during installation to prevent injuries from eventual sharp edges.

Note: During installation you can use Fig. 3 - Hardware Placement to quickly find the correct screws and brackets.

Note: Numbering of mounting hardware is for reference purposes only and is not related to installation order!

SKID PLATES INSTALLATION

1. Rear Skid Plate [1] installation. Place rear skid plate on appropriate holes and screw bolts (12) and (13) with washers 6x20. Before tightening the screws adjust correct position of the Rear Skid Plate, then tighten all screws completely.

2. Center Skid Plate [2] installation. Begin by placing washers 6x18 on screws (16). Thread these screws from above through outermost footwell mounts so that the washers are on top of the floorboards. Install the two clamps (17) - screw them 2-3 threads into the Center Skid Plate [2] (these clamps will hold Center Skid Plate to the ATV frame tube). Install Center Skid Plate [2] on screws protruding from footwells. Put washers 6x22 on these protruding screws, install supplied M6 nuts and tighten them fingertight. Screw bolts (10) and tighten them fingertight. Attach clamps (17) through the square openings in the Center Skid Plate [2] to the frame tubes (Fig. 5). Tighten the screws a bit more so that clamps won't fall out. Adjust correct position of the Center Skid Plate and tighten up all fasteners completely.

Note: Holes for screws (10) are common for both Center [2] and Front [3] Skid Plates - leave them free at this stage. Skid Plates [1] and [2] are overlapping - Center Skid Plate [2] must be above the Rear Skid Plate [1].

3. Front Skid Plate [3] installation. Begin by installing the two clamps (17) - screw them 2-3 threads into the Front Skid Plate [3]. These clamps will hold Front Skid Plate to the ATV. Attach Front Skid Plate with installed clamps on the cross-member of the front bumper and tighten them fingertight, so that clamps won't fall out (clamps orientation see Fig. 3). Install screws (10) and (11) (screws are common for Front [3] and Center Skid Plates [2]). Front Skid Plate [3] must be above the Center Skid Plate [2]. Remove two screws (21), insert black-colored brackets (22) - see Fig. 4, return screws (21) back and tighten them fingertight. Correctly center the position of Front Skid Plate and tighten up all screws.

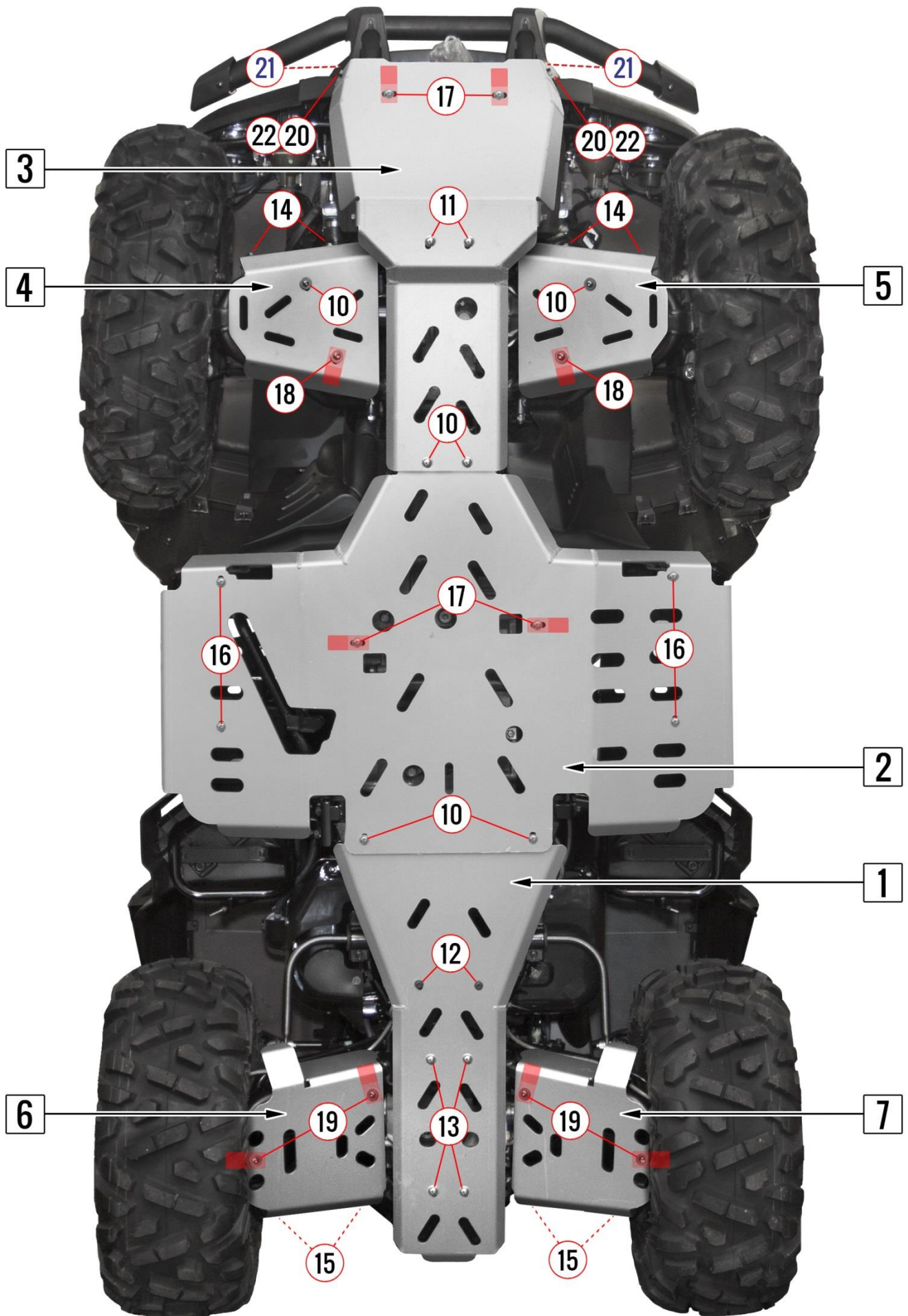
4. If you wish to install front A-arm guards [4] a [5], first install clamps (18), Fig. 3. Do not tighten the screws now so that the clamps can be positioned on the A-arm tubing (Fig. 6). Install guard on appropriate holes and tighten screws (10) and (14) with washers 6x20 fingertight. Adjust guard position and while tightening screws constantly check whether guards are still perpendicularly to A-arms. Turn the front wheels fully right and left to check if in any position there is no contact between guard and wheel. If so, loosen the screws and adjust guard position. Make sure that there is enough space between Front Skid Plate [3] and A-arm guard to avoid contacting them when suspension is fully compressed.

5. If you wish to install rear A-arm guards [6] a [7], first install clamps (19), see Fig. 3. Do not tighten the screws so that the clamps can be positioned on the A-arm tubing (Fig. 5). Install guard on appropriate holes, install and tighten clamps (19) fingertight so that clamps won't fall out. Install screws (15) with washers 6x20 and tighten them fingertight, adjust guard's correct position and while tightening screws constantly check whether guards are still perpendicularly to A-arms. Make sure that there is enough space between Front Skid Plate [3] and installed A-arm guard to avoid contact between both covers when suspension is fully compressed. Check that there is no contact between guard and wheel.

Note:

Thanks to sufficient space for hands it is possible to install A-arm guards clamps (18) a (19) after attaching guard to the A-arm. First clamp the guard with screws (10) and (14) (front A-arm), or with screws (15) (rear A-arm). Hold clamp (without screw from the other side) onto A-arm tube (clamp orientation - see Fig. 3), move the thread against the guard hole and fix the clamp with screw, see Fig. 6 and 7. Positioning and tightening of guards - see Points 4. or 5. respectively.

Fig. 3 - Hardware Placement - TGB 1000i LT



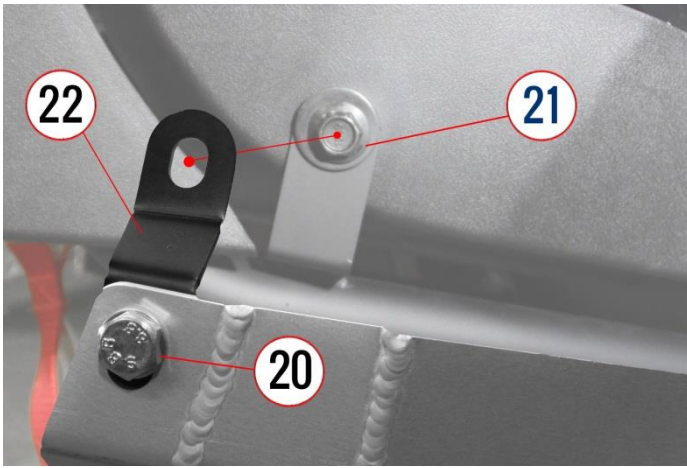


Fig. 4
Attaching Front Skid Plate [3] to the front bumper.

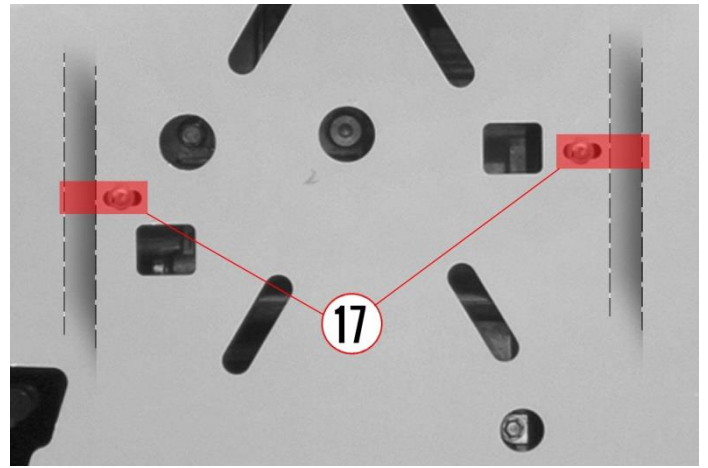


Fig. 5
Clamps (17) positioning and orientation on Center Skid Plate [2].

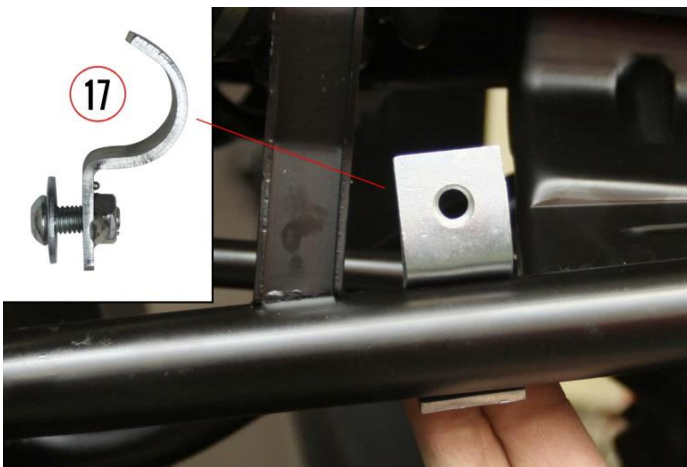


Fig. 6
Position of clamp (17) on front A-arm tubing.

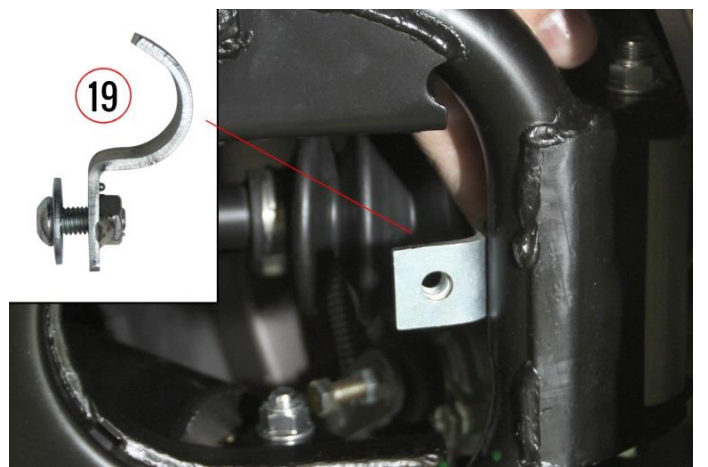


Fig. 7
Position of clamp (19) on rear A-arm tubing.

ASP Group s.r.o. reserves the right to make construction or design changes and modifications without prior notice. When in doubt, please contact your dealer or ASP Group s.r.o. directly.



Official Distributor: **ASP Group s.r.o.**
 Staroplzenecka 290
 326 00, Letkov
 Czech Republic
 Tel.: +420 378 21 21 21
 E-mail: info@aspgroup.cz
 Web: www.aspgroup.eu

