



Operator's Manual

SHARK WOOD 550



Official distributor

ASP Group s.r.o.

Staroplzenecká 290

326 00 Letkov u Plzně

Tel.: +420 378 21 21 21

E-mail: info@aspgroup.cz

www.aspgroup.eu

We appreciate your purchase of our Trailers. Please follow these few simple instructions. Instructions should be kept in a safe place and reviewed at least annually.

We offers a one year limited warranty to be free from defects in materials and workmanship for the service life of the product, not to exceed twelve consecutive months from the date of purchase.

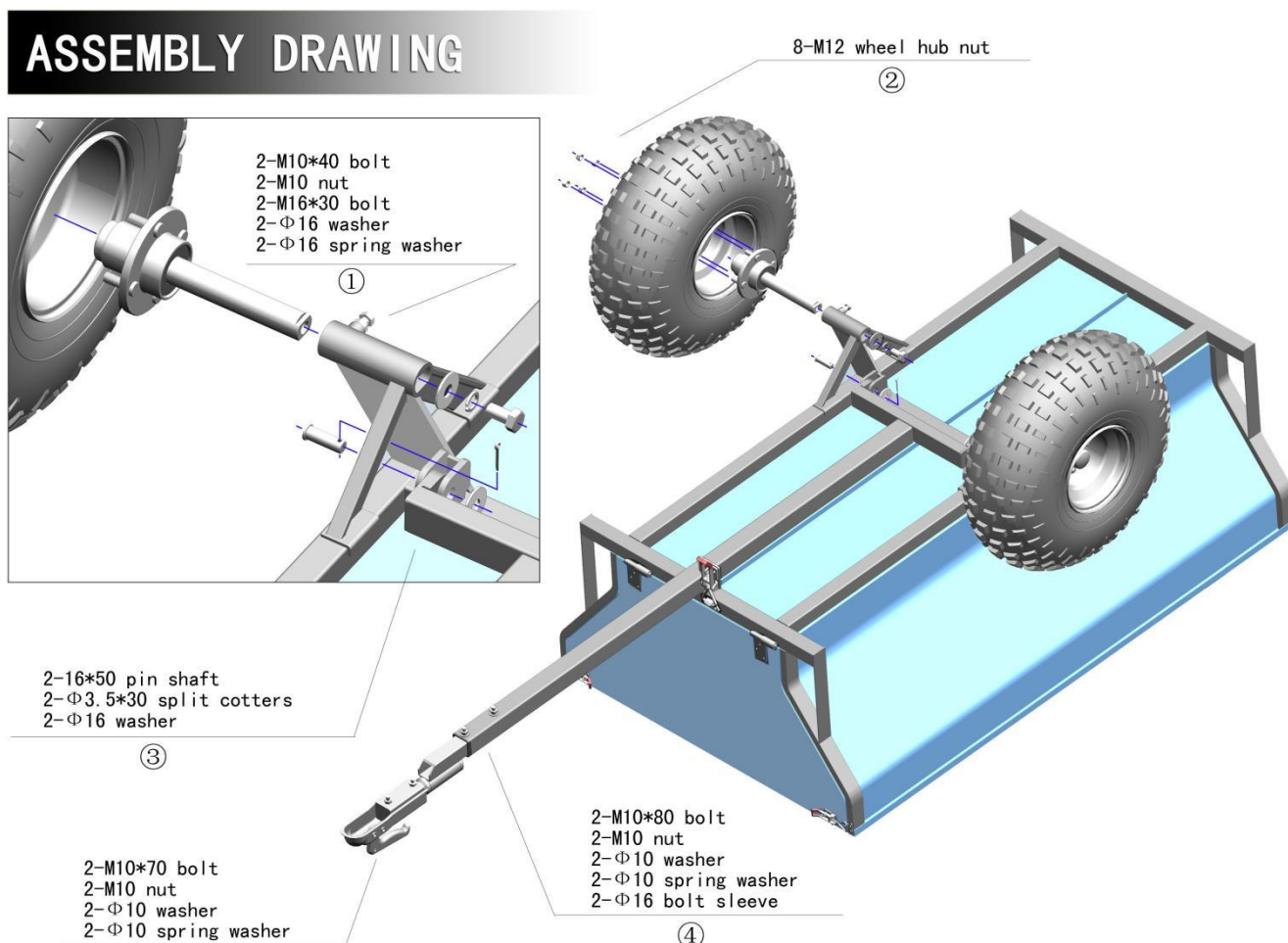
The Jack, fence, tool box and linear are optional items. If you do not purchase the corresponding product, please ignore their installation steps.

ASSEMBLY INSTRUCTIONS

Tools needed – An adjustable wrench

IMPORTANT ASSEMBLY TIP: Do not tighten any nut and bolt combinations completely until all parts are assembled together! Finger tighten plus one turn of a wrench only! This will temporarily hold the lock nut on the bolt while helping alignment of all parts! After all parts are assembled together, all nut & bolt combinations must be completely tightened.

1. Install the axle, using 2-M10*40 bolt, 2-M10 nut, 2-M16*30 bolt, 2- ϕ 16 washer, 2- ϕ 16 spring washer.
2. Install the tire, using 8-M12 wheel hub nut.
3. Install the tow bar, using 2-16*50 pin shaft, 2- ϕ 3.5*30 split cotters, 2- ϕ 16 washer.
4. (a) Install the draw bar, using 2-M10*80 bolt, 2-M10 nut, 2- ϕ 10 washer, 2- ϕ 10 spring washer, 2- ϕ 16 bolt sleeve.
(b) Install the coupler, using 2-M10*70 bolt, 2-M10 nut, 2- ϕ 10 washer, 2- ϕ 10 spring washer.



Attention:

For the linear actuator



This item is designed for certain application only. The distributor cannot be responsible for issues arising from modification. We strongly recommend this item not be modified and /or use for any application other than that for which it was designed.

General safety rules



WARNING: Read and understand all instruction. Failure to follow all instructions listed below may result in serious injury.



WARNING: The warnings, cautions, and instructions discussed in this instruction manual cannot cover all possible conditions or situations that could occur. It must be understood by the operator that common sense and caution are factors which can't be built into this product, but must be supplied by the operator.



WARNING

READ, UNDERSTAND AND FOLLOW ALL ASSEMBLY, INSPECTION, MAINTENANCE & USE INSTRUCTIONS PROVIDED BEFORE EACH USE. FAILURE TO FOLLOW ALL WARNINGS AND INSTRUCTIONS COULD RESULT IN SERIOUS INJURY OR DEATH.

DOUBLE CHECK THE ASSEMBLY OF YOUR TRAILER TO BE SURE YOU ASSEMBLED IT CORRECTLY AND ALL NUT & BOLT ASSEMBLIES ARE TIGHT BEFORE INITIAL USE. BE SURE TO PERIODICALLY CHECK ALL NUT AND BOLTS FOR TIGHTNESS. OVER TIME, NUTS AND BOLTS MAY BECOME LOOSE FROM VIBRATION.

BE SURE TO ALWAYS HAVE THE CORRECT AMOUNT OF AIR PRESSURE IN TIRES. THIS WILL HELP DETER FROM UNNECESSARY WEAR AND/OR DAMAGE. AIR PRESSURE CAN BE FOUND ON SIDEWALL OF TIRE. NEVER DRIVE ON HILLY TERRAIN - EXCESSIVE WEIGHT CAN CAUSE WEIGHT SHIFTS WHICH CAN LEAD TO LOSS OF CONTROL OF YOUR ATV AND/OR ATV TRAILER.

DO NOT DRIVE IN EXCESS OF 10 MPH WHILE USING THIS PRODUCT. NEVER ALLOW PEOPLE OR ANIMALS TO RIDE IN THE ATV TRAILER! IT IS NOT DESIGNED FOR THAT MATTER.

USE CAUTION NEAR TRAILER TILT LATCH. BE SURE LATCH IS ENGAGED BEFORE EACH USE.

Never...

- Use excessive speeds while towing trailer.
- Exceed the maximum load capacity of 500KGS.
- Allow people or animals to ride in trailer.
- Use on hilly terrain.
- Use a damaged product.
- Use when intoxicated or using over-the-counter medication or prescription drugs.
- Use on rocky or obstacle ridden terrain.
- Use carelessly -- Think Safety!
-

A01E ATV trailer Part List

NO.	DESCRIPTION	QTY
1	M10*40 bolt	2
2	M10 nut	6
3	M16*30 bolt	2
4	∅16 washer	4
5	∅16 spring washer	2
6	M12 wheel hub nut	8
7	16*50 pin shaft	2

NO.	DESCRIPTION	QTY
8	∅3.5*30 split cotters	2
9	M10*70 bolt	2
10	∅16 washer	4
11	∅16 spring washer	4
12	M10*80 bolt	2
13	∅16 bolt sleeve	2

Official distributor



© Copyright ASP Group s.r.o. 2019

ASP Group s.r.o.
Staropltzenecka 290
326 00 Letkov
Czech Republic

tel.: +420 378 21 21 21

info@aspgroup.cz

www.aspgroup.eu